



# V-3F

## STAINLESS STEEL BALL VALVES / THREE PARTICAL FLANGED

### GENERAL FEATURES

The essential element in the ball valve is a ball which has a hole in the middle. This ball's 90° turn move it from fully opened to closed position. The ball valves are primarily used in places where it is necessary to open and close a lot or to open and close quickly.

The advantages are low pressure losses, easy opening and closing, good sealing, light weight and low space occupancy. Sealing; It is made up of two stages as a sphere seal and a shaft seal.

Ayvaz V-3F Three Piece Flanged Stainless Steel Ball Valves are subjected to 100% air test in open and closed positions under 10 bar.

**Material Structure:**

Body: AISI316 / AISI304 Stainless Steel  
Ball: AISI316 / AISI304 Stainless Steel

**Connection:**

Flanged

**Nominal Diameter:**

DN15 (1/2") - DN100 (4")

**Pressure Range:**

Max. 40 bar

**Temperature Range:**

Based on product from -50 °C to 210°C.

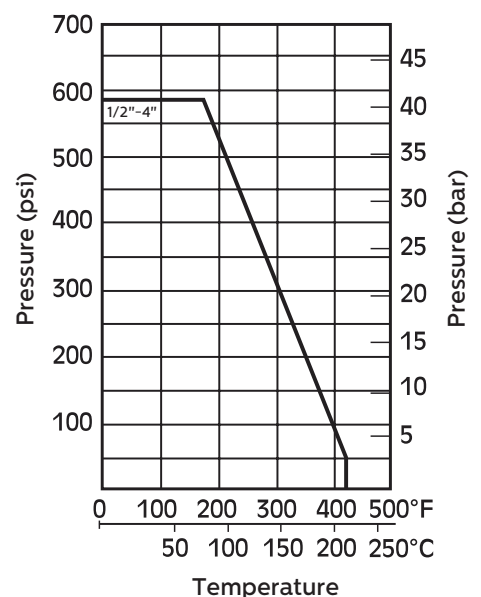
**Application Areas:**

- Heating-cooling lines
- Food facilities
- Chemical industry
- Shipbuilding
- Paper mills

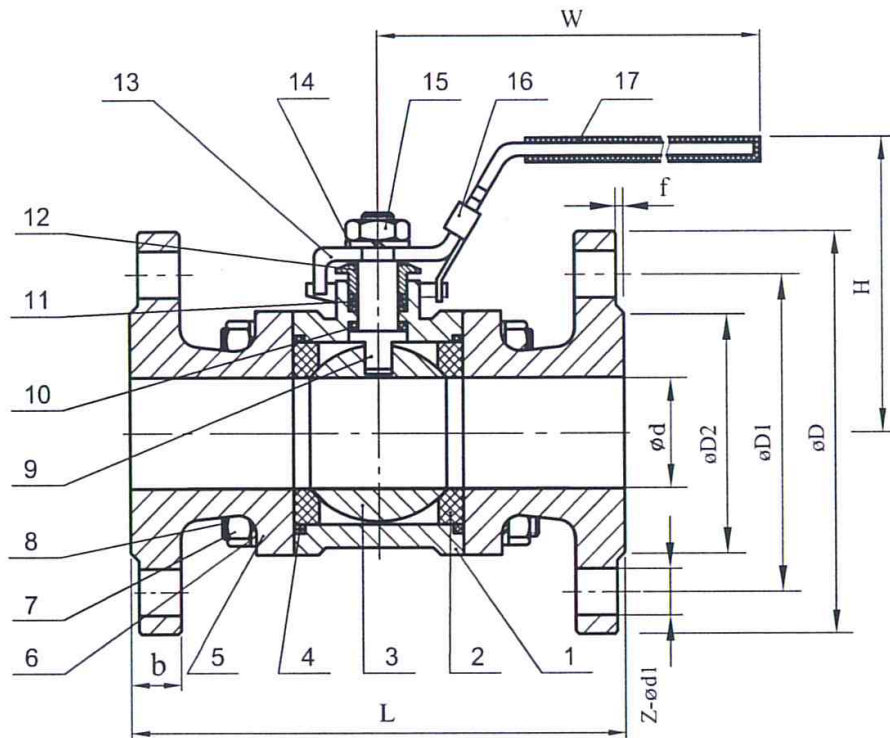
**Installation:**

Installation can be done in every position.

Pressure - Temperature Range



# V-3F STAINLESS STEEL BALL VALVES / THREE PARTICAL FLANGED



PART LIST		
No	Part Name	Material
1	Body	AISI 304/316
2	Ball Gasket	R-PTFE (15%)
3	Ball	AISI 304/316
4	Body Gasket	PTFE
5	Cover	AISI 304/316
6	Nut	AISI 304
7	Nut	AISI 304
8	Pivot Bolt	AISI 304
9	Motion Shaft	AISI 304/316
10	Seal Teflon	PTFE
11	Sealing Gasket	PTFE
12	Sealing Nut	AISI 304
13	Handle	AISI 304
14	Nut	AISI 304
15	Nut	AISI 304
16	Lock	AISI 304
17	Handle Cover	PLASTIC

DIMENSIONS												
	Dia.	D	D1	D2	L	H	W	z-Ø d1	f	b	N.m	kg
DN15	1/2"	95	65	45	130	84	148	4-Ø 14	2	16	5	1,9
DN20	3/4"	105	75	58	150	87	148	4-Ø 14	2	18	8	2,8
DN25	1"	115	85	68	160	93	170	4-Ø 14	2	18	10	3,6
DN32	1-1/4"	140	100	78	180	99	170	4-Ø 18	2	18	14	5,4
DN40	1-1/2"	150	110	88	200	114	212	4-Ø 18	3	18	18	6,3
DN50	2"	165	125	102	230	122	212	4-Ø 18	3	20	25	8,5
DN65	2-1/2"	185	145	122	290	150	254	8-Ø 18	3	22	48	10,4
DN80	3"	200	160	138	310	161	254	8-Ø 18	3	24	75	19,9
DN100	4"	235	190	162	350	180	285	8-Ø 22	3	24	110	28,2



## HEAD OFFICE - FACTORY

Atatürk Sanayi Bölgesi Hadımköy Mahallesi Mustafa 'nan Caddesi No: 44 Arnavutköy - ISTANBUL  
Tel: +90 212 771 01 45 (pbx) | Fax: +90 212 771 47 27  
info@ayvaz.com | www.ayvaz.com

**Cona**  
Caserta/Italy  
Tel: +39 0823 187 3988  
rmolaro@ayvaz.com

**Ayvaz Russia**  
Moscow/Russia  
Tel: +74959951728  
ayvazrus@ayvaz.com

**Ayvaz Germany**  
Viernheim/Germany  
Tel: +49 62046014399  
germany@ayvaz.com

**Ayvaz Ukraine**  
Kiev/Ukraine  
Tel: +380 44 390 57 57  
info@ayvaz.com.ua

**Tricorr**  
Warsaw/Poland  
Tel: +48-32-783-295-1  
tricorr@tricorr.eu

**Haci Ayvaz M.E.**  
Dubai/U.A.E  
Tel: +971 563550822  
+971 501306871  
mideast@ayvaz.com

**Ayvaz China**  
Cixi City/China  
Tel: +86 0574 5897 3851  
info@ayvazchina.com

**Ayvaz Kazakhstan LLP**  
Almaty/Kazakhstan  
Tel: +7 (727) 327 97 57  
info\_kz@ayvaz.com  
www.ayvaz.kz

**Ayvaz N**  
Isperih/Bulgaria  
Tel: +359 8431 27 32  
office@ayvaz-n.eu

**Ayvaz Serbia**  
Belgrad/Serbia  
Tel: +381 61 658 70 52  
yakbiyik@ayvaz.com