

SK-51

FLOAT TYPE STEAM TRAP

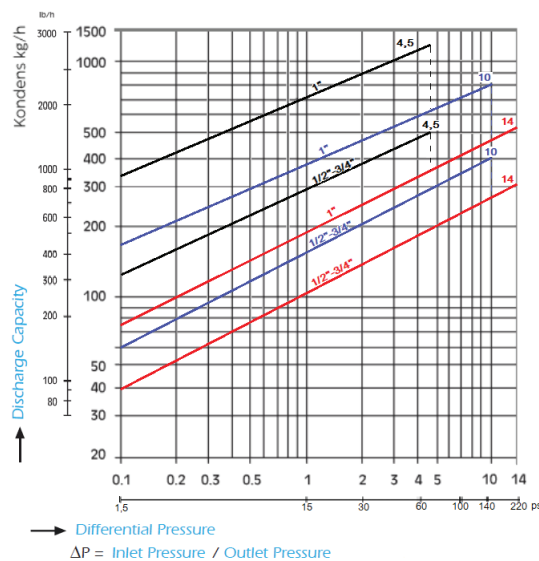
GENERAL FEATURES

Ayvaz SK-51 float steam traps especially perform continual evacuation at the steam saturation temperature. Ayvaz SK-51 doesn't affect instantaneous and large pressure shift. SK-51 is mainly applied at the systems where the condensate is evacuated rapidly and it is also ideal for automatic temperature control system.

Installation:

SK-51 can be used vertically as the inlet to stay up the top and the outlet to remain at the bottom. It can also be installed horizontally from right to the left or opposite way. If it is not indicated differently in the order sheet, it will be assumed as right to the left. Will be assumed as right to the left. Cover part can be arranged according to horizontal or vertical installation type.

SK51 (1/2" - 3/4" - 1")



Discharge Chart:

- Red Chart** : $\Delta p = 14$ bar
- Blue Chart** : $\Delta p = 10$ bar
- Black Chart** : $\Delta p = 4.5$ bar

Product Features:

- Body:** Ductile Iron GGG 40
- Cover:** Ductile Iron GGG 40
- Internals and Float:** Stainless Steel
- Connection:** Flanged and Threaded

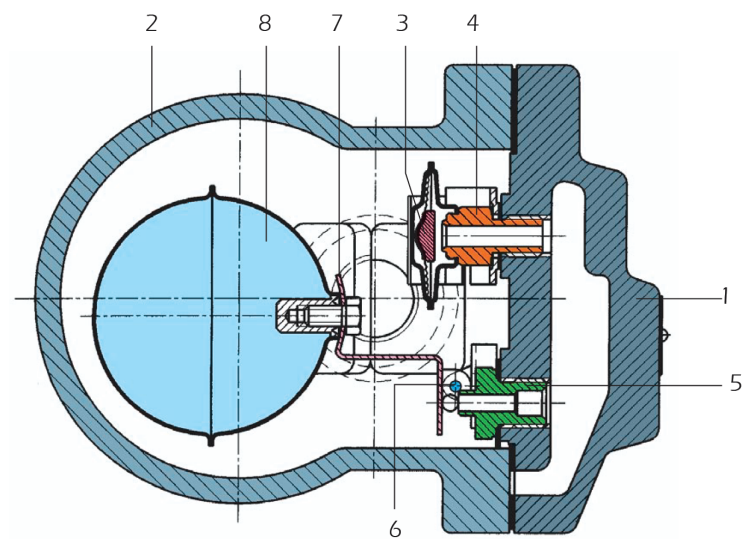
OPERATING CONDITIONS	
Max. Operating Pressure	16 bar
Max. Differential Pressure (ΔP)	4.5-10-14 bar
Max. Operating Temperature	250 °C



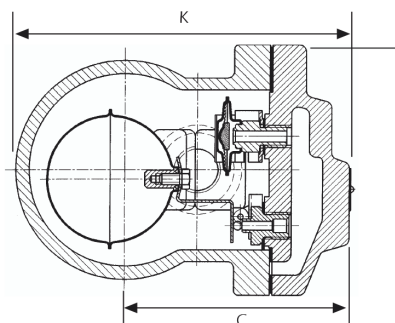
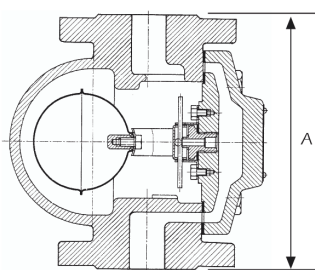
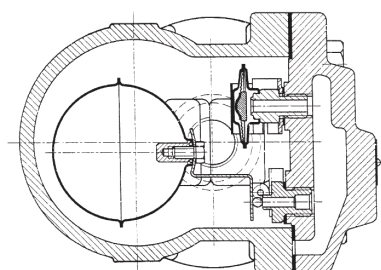
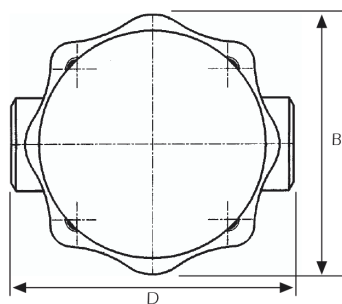
* Please ask to our sales team for different presures and diameters.

SK-51 FLOAT TYPE STEAM TRAP

CONSTRUCTION



PART LIST		
NO	PART NAME	MATERIAL
1	Cover	Ductile Iron GGG 40
2	Body	Ductile Iron GGG 40
3	Thermostatic Capsule	Stainless Steel
4	Air Drain Unit	Stainless Steel
5	Condensate Drainer	Stainless Steel
6	Orifice	Stainless Steel
7	Float Lever	Stainless Steel
8	Float	Stainless Steel

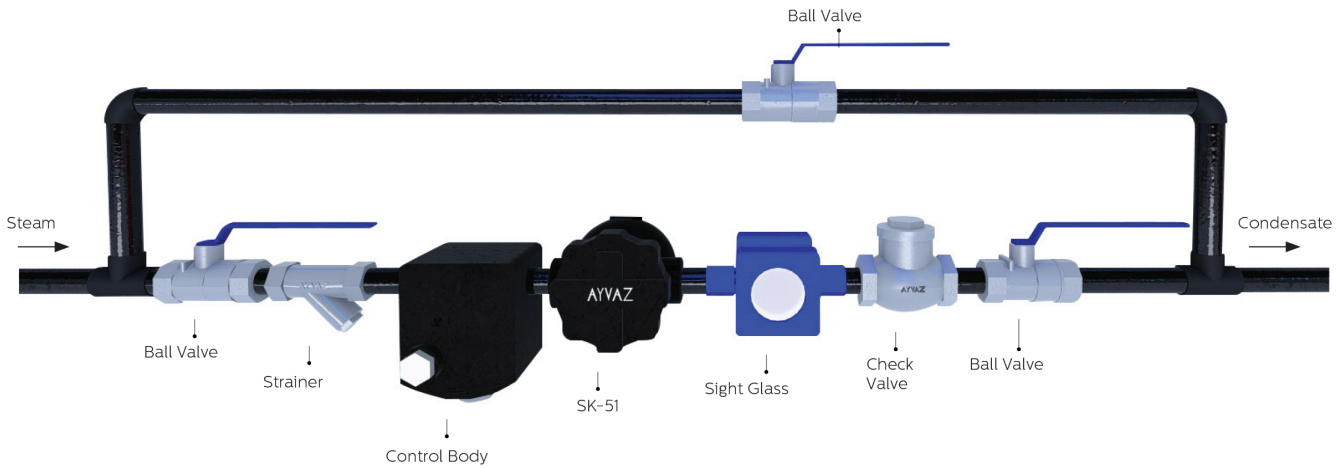


SIZE	ARTICLE NO	DIMENSIONS				
		A (mm)	K (mm)	B (mm)	C (mm)	D (mm)
DN 15	703200102000	150	150	108	68	122
DN 20	703200102003	150	150	108	68	122
DN 25	703200102010	160	167	108	107	145

SK-51 FLOAT TYPE STEAM TRAP

INSTALLATION

3D INSTALLATION SAMPLE



2020 - Non contractual document - Reproduction forbidden without prior authorization



HEAD OFFICE - FACTORY

Atatürk Sanayi Bölgesi Hadımköy Mahallesi Mustafa İnan Caddesi No: 44 Arnavutköy - İSTANBUL
 Tel: +90 212 771 01 45 (pbx) | Fax: +90 212 771 47 27
 info@ayvaz.com | www.ayvaz.com

Cona
Caserta/Italy
 Tel: +39 0823 187 3988
 rmolaro@ayvaz.com

Ayvaz Russia
Moscow/Russia
 Tel: +7 9254070230
 eakinci@ayvaz.com

Ayvaz Germany
Viernheim/Germany
 Tel: +49 62046014399
 germany@ayvaz.com

Ayvaz Ukraine
Kiev/Ukraine
 Tel: +380 44 390 57 57
 info@ayvaz.com.ua

Tricorr
Warsaw/Poland
 Tel: +48-32-783-295-1
 tricorr@tricorr.eu

Ayvaz Baku
Baku/Azerbaijan
 Tel: +99(455) 579-84-32
 ahayatov@ayvaz.com

Hacı Ayvaz M.E.
Dubai/U.A.E
 Tel: +971 544431048
 +971 501306871
 mideast@ayvaz.com

Ayvaz China
Jinan/China
 Tel: +86 0574 5897 3851
 info@ayvazchina.com

Ayvaz Kazakhstan LLP
Almaty/Kazakhstan
 Tel: +7 (727) 327 97 57
 info_kz@ayvaz.com
 www.ayvaz.kz

Ayvaz N
Ispirih/Bulgaria
 Tel: +359 8431 27 32
 office@ayvaz-n.eu

Ayvaz Serbia
Belgrade/Serbia
 Tel: +381 61 658 70 52
 yakbiyik@ayvaz.com

Ayvaz Vietnam
HCMC/Vietnam
 ggursoy@ayvaz.com
 Tel: +84 89 8508345

Ayvaz Nigeria
Lagos/Nigeria
 dige@ayvaz.com
 Tel: +234 906 308 6617
 Tel: +234 909 465 3877