

TGV-10

FULL BORE BALL VALVE / THREE PARTIAL

GENERAL FEATURES

The essential element in the ball valve is a ball which has a hole in the middle. This ball's 90° turn move it from fully opened to closed position. The ball valves are primarily used in places where it is necessary to open and close a lot or to open and close quickly.

The advantages are low pressure losses, easy opening and closing, good sealing, light weight and low space occupancy. Sealing: It is made up of two stages as a sphere seal and a shaft seal.

Ayvaz TGV-10 Three-Piece Full-Bore Ball Valves are important control elements that provide on-off and flow control.

Due to their structure and fluid flow shape, ball valves are valves with minimum pressure loss. In particular, Ayvaz TGV-10 Full-Flow Ball Valves provide an equivalent pressure loss in the same diameter pipe.

The top flange is available in accordance with ISO 5211 and is suitable for actuator tool.

Material List

Body: GG 25 Cast Iron

Connection:

Flanged

Nominal Diameter:

DN15 (1/2") – DN200 (8")

Pressure:

Max. 16 bar

Temperature Range:

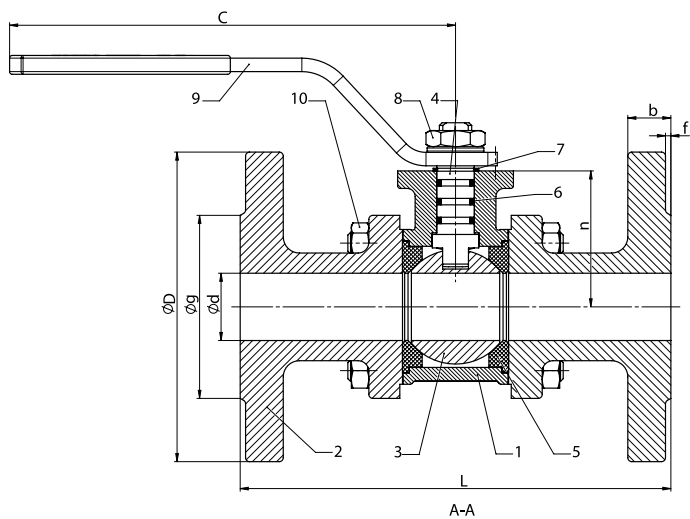
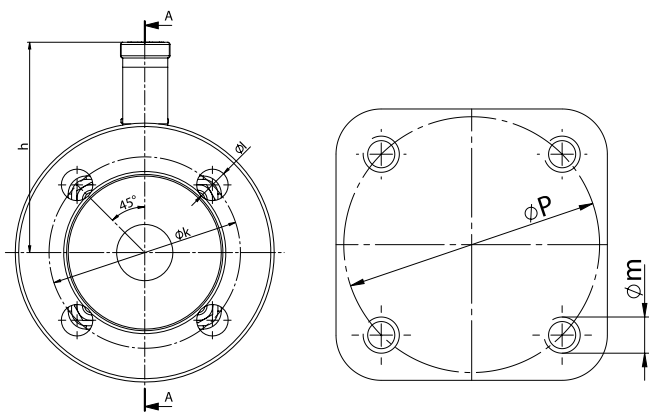
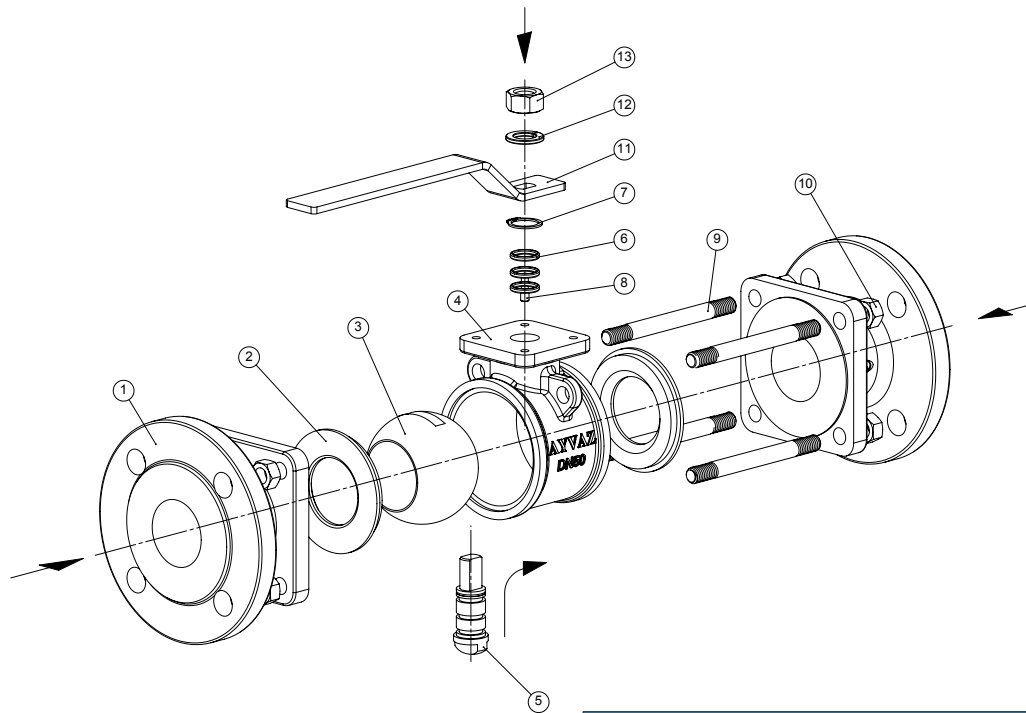
Based on the material from -10 °C to 180 °C

Application Areas

- Heating-cooling lines
- Food facilities
- Shipbuilding
- Paper mills

OPEN / CLOSE TORQUE VALUE (Nm)												
DN	15	20	25	32	40	50	65	80	100	125	150	200
Full Bore	5	7	11	14	17	25	45	80	120	210	400	770

TGV-10 FULL BORE BALL VALVE / THREE PARTIAL

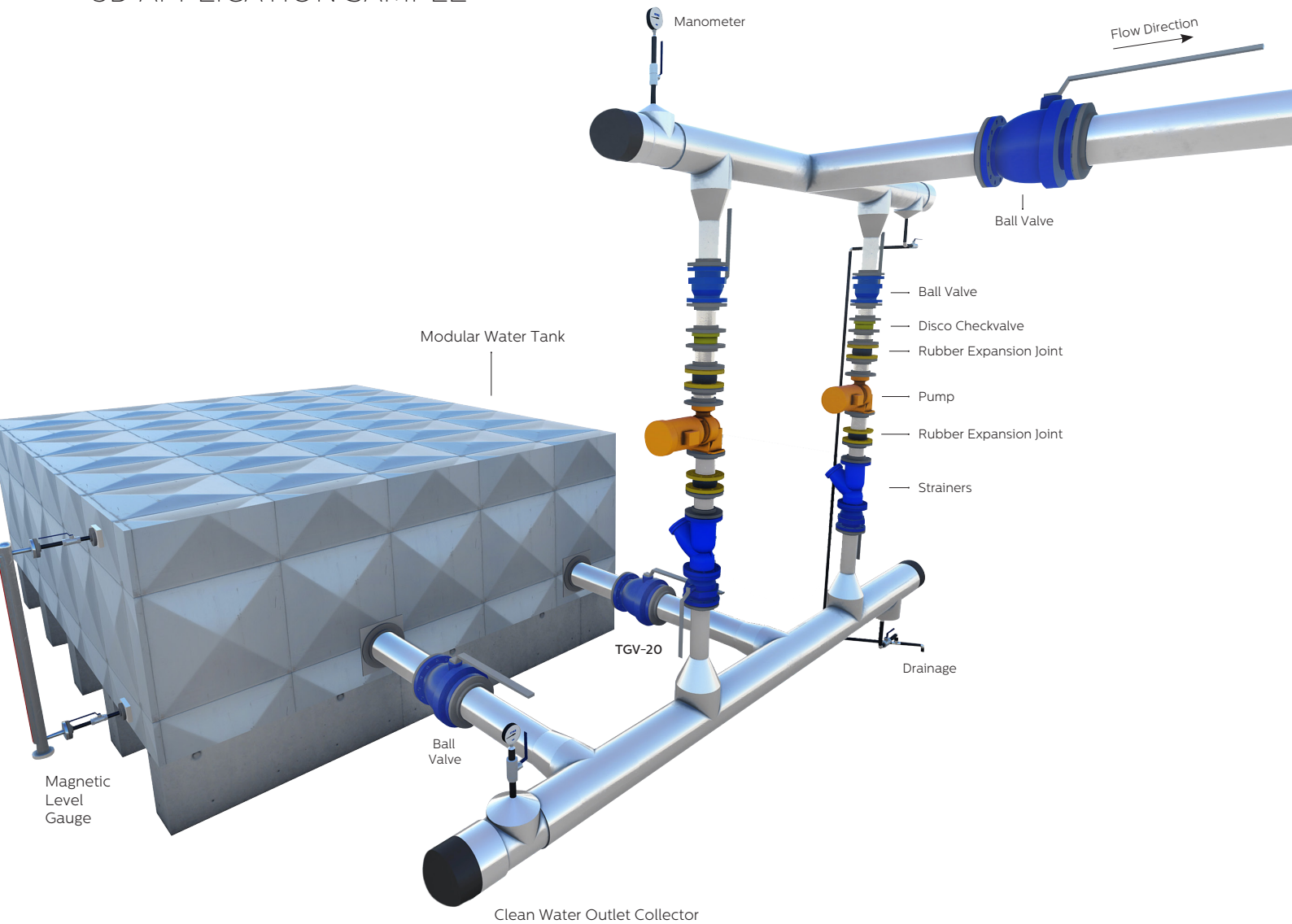


PART LIST		
No	Part Name	Material
1	Flange	GG-25 Cast Iron
2	Ball Bearing	Teflon
3	Ball	1.403 Stainless Steel
4	Body	GG-25 Cast Iron
5	Movement Stem	
6	Pin	
7	Stem Segment	
8	O-Ring	PTFE
9	Stud	8,8
10	Nut	8
11	Handle	DKP Tin
12	Spring Washer	Spring Steel
13	Nut	8

TGV-10 DIMENSIONS (mm)										
DN	ϕD	ϕg	ϕb	ϕk	ϕl	n	f	L	h	c
15	95	45	16	65	14	4	2	130	82,5	166
20	105	58	16	75	14	4	2	150	88,5	166
25	115	68	16	85	14	4	2	160	93,5	166
32	140	78	20	100	18	4	2	180	98	230
40	150	88	20	110	18	4	3	200	110	230
50	165	102	20	125	18	4	3	230	117	230
65	185	122	20	145	18	4	3	290	139	400
80	200	138	22	160	18	8	3	310	154	400
100	220	158	24	180	18	8	3	350	171	400
125	250	188	27	210	18	8	3	400	211	702
150	285	212	27	240	22	8	3	350	228	702
200	340	268	31	295	22	12	3	400	287	774

TGV-10 FULL BORE BALL VALVE / THREE PARTIAL

3D APPLICATION SAMPLE



HEAD OFFICE - FACTORY

Atatürk Sanayi Bölgesi Hadımköy Mahallesi Mustafa 'nan Caddesi No: 44 Arnavutköy - ISTANBUL
 Tel: +90 212 771 01 45 (pbx) | Fax: +90 212 771 47 27
 info@ayvaz.com | www.ayvaz.com

Cona Caserta/Italy
 Tel: +39 0823 187 3988
 rmlaro@ayvaz.com

Ayvaz Russia Moscow/Russia
 Tel: +74959951728
 ayvazrus@ayvaz.com

Ayvaz Germany Viernheim/Germany
 Tel: +49 62046014399
 germany@ayvaz.com

Ayvaz Ukraine Kiev/Ukraine
 Tel: +380 44 390 57 57
 info@ayvaz.com.ua

Tricorr Warsaw/Poland
 Tel: +48-32-783-295-1
 tricorr@tricorr.eu

Haci Ayvaz M.E. Dubai/U.A.E
 Tel: +971 563550822
 +971 501306871
 mideast@ayvaz.com

Ayvaz China Cixi City/China
 Tel: +86 0574 5897 3851
 info@ayvazchina.com

Ayvaz Kazakhstan LLP Almaty/Kazakhstan
 Tel: +7 (727) 327 97 57
 info_kz@ayvaz.com
 www.ayvaz.kz

Ayvaz N Isperih/Bulgaria
 Tel: +359 8431 27 32
 office@ayvaz-n.eu

Ayvaz Serbia Belgrad/Serbia
 Tel: +381 61 658 70 52
 yakbiyik@ayvaz.com