



V-3T

STAINLESS STEEL BALL VALVES / THREE PARTIAL THREADED

GENERAL FEATURES

The essential element in the ball valve is a ball which has a hole in the middle. This ball's 90° turn move it from fully opened to closed position. The ball valves are primarily used in places where it is necessary to open and close a lot or to open and close quickly.

The advantages are low pressure losses, easy opening and closing, good sealing, light weight and low space occupancy. Sealing; It is made up of two stages as a sphere seal and a shaft seal.

Ayvaz V-3F Three Piece Flanged Stainless Steel Ball Valves are subjected to 100% air test in open and closed positions under 10 bar.

Material Structure:

Body: AISI316 / AISI304 Stainless Steel
Ball: AISI316 / AISI304 Stainless Steel

Connection:

Threaded

Nominal Diameter:

DN15 (1/2" - DN100 (4"

Pressure Range:

Max. 40 bar

Temperature Range:

Based on product from -50 °C to 210°C.

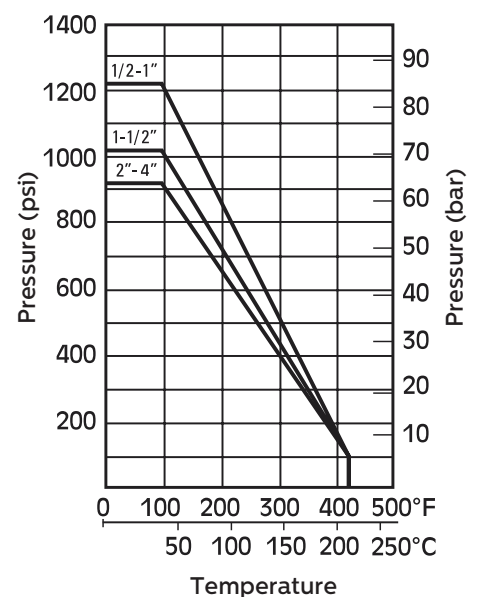
Application Areas:

- Heating-cooling lines
- Food facilities
- Chemical industry
- Shipbuilding
- Paper mills

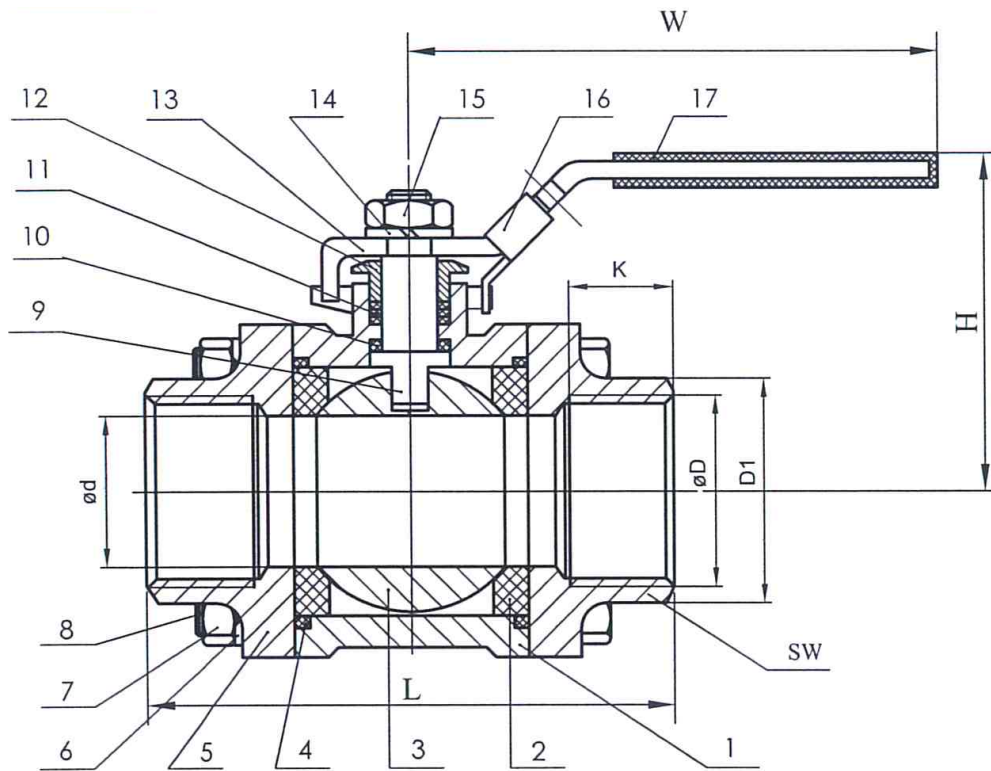
Installation:

Installation can be done in every position.

Pressure - Temperature Range



V-3T STAINLESS STEEL BALL VALVES / THREE PARTICAL THREADED



PART LIST		
No	Part Name	Material
1	Body	AISI 304/316
2	Ball Gasket	R-PTFE (15%)
3	Ball	AISI 304/316
4	Body Gasket	PTFE/TEFLON
5	Cover	AISI 304/316
6	Nut	AISI 304
7	Nut	AISI 304
8	Pivot Bolt	AISI 304
9	Motion Shaft	AISI 304/316
10	Seal Teflon	PTFE/TEFLON
11	Sealing Gasket	PTFE/TEFLON
12	Sealing Nut	AISI 304
13	Handle	AISI 304
14	Nut	AISI 304
15	Nut	AISI 304
16	Lock	AISI 304
17	Handle Cover	PLASTIC

Dimensions									
Dia.		D1	K	SW	L	H	W	N.m	kg
DN8	1/4"		10	22	50	51	105	4	0,33
DN10	3/8"		11	22	60	51	105	4	0,32
DN15	1/2"	28	15	26	75	53	118	5	0,44
DN20	3/4"	35,5	16	33	80	60	118	8	0,71
DN25	1"	43	19	40	90	75	150	10	1,01
DN32	1-1/4"	57	21	49	110	80	150	14	1,65
DN40	1-1/2"	60	21	56	120	88	182	18	2,25
DN50	2"	74	25	69	140	95	182	25	3,14
DN65	2-1/2"	92	30	86	185	121	254	48	6,38
DN80	3"	109	33	102	205	135	254	75	9,62
DN100	4"	140	39	128	240	158	285	110	15,7



HEAD OFFICE - FACTORY

Atatürk Sanayi Bölgesi Hadımköy Mahallesi Mustafa 'nan Caddesi No: 44 Arnavutköy - ISTANBUL
Tel: +90 212 771 01 45 (pbx) | Fax: +90 212 771 47 27
info@ayvaz.com | www.ayvaz.com

Cona
Caserta/Italy
Tel: +39 0823 187 3988
rmolaro@ayvaz.com

Ayvaz Russia
Moscow/Russia
Tel: +74959951728
ayvazrus@ayvaz.com

Ayvaz Germany
Viernheim/Germany
Tel: +49 62046014399
germany@ayvaz.com

Ayvaz Ukraine
Kiev/Ukraine
Tel: +380 44 390 57 57
info@ayvaz.com.ua

Tricorr
Warsaw/Poland
Tel: +48-32-783-295-1
tricorr@tricorr.eu

Haci Ayvaz M.E.
Dubai/U.A.E
Tel: +971 563550822
+971 501306871
mideast@ayvaz.com

Ayvaz China
Cixi City/China
Tel: +86 0574 5897 3851
info@ayvazchina.com

Ayvaz Kazakhstan LLP
Almaty/Kazakhstan
Tel: +7 (727) 327 97 57
info_kz@ayvaz.com
www.ayvaz.kz

Ayvaz N
Isperih/Bulgaria
Tel: +359 8431 27 32
office@ayvaz-n.eu

Ayvaz Serbia
Belgrad/Serbia
Tel: +381 61 658 70 52
yakbiyik@ayvaz.com