

VK-70

VACUUM BREAKERS / BRASS

GENERAL FEATURES

High pressure may occur during the use of steam lines and steam equipment. While cooling the lines, the steam inside is getting condensate. Due to transformation of steam into water, volume and pressure are decreasing and vacuum will occur.

Ayvaz VK-70 vacuum breakers work like check valve and it prevents the system from vacuum by taking in air. When the device is given steam again, pressure will be increase so that device will stop working. They are small size vacuum breakers designed for general purpose applications on steam or condensate lines.

Product Materials

Body and Cover: MS58 Brass

Inner Part: AISI 304 Stainless Steel

Connection:

Threaded

Nominal Diameter:

DN15 (1/2")

Pressure

Max. 16 bar

Min. ΔP Opening Pressure

0,17 bar

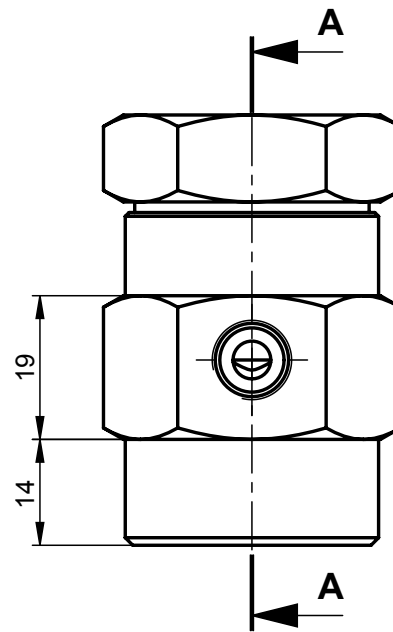
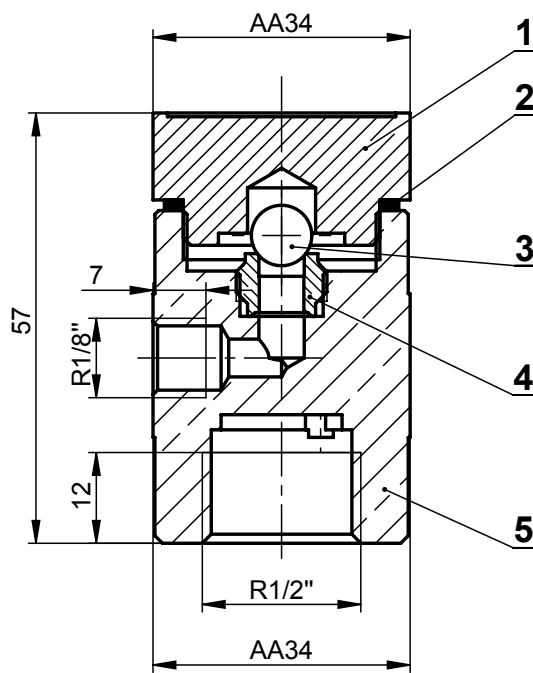
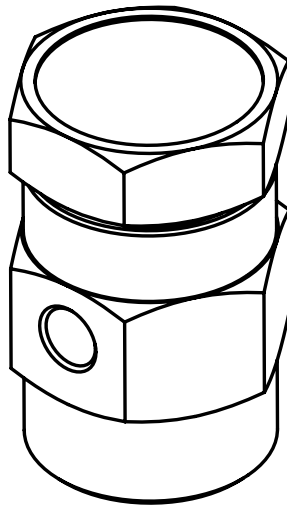
Working Temperature:

Max. working temperature 260 °C

Applications

- Serpentine Systems
- Heat Exchangers
- End of the Line in Steam Systems
- Steam Collectors

VK-70 VACUUM BREAKERS / BRASS



A-A

PART LIST			
No	Parts		Material
5	Body		Ms 8
4	Seat		AISI 304
3	Ball		AISI 440 C
2	Gasket		AISI 304
1	Cover		Ms 8

VACUUM BREAKERS / BRASS



HEAD OFFICE - FACTORY

Atatürk Sanayi Bölgesi Hadımköy Mahallesi Mustafa İnan Caddesi No: 44 Arnavutköy - İSTANBUL
Tel: +90 212 771 01 45 (pbx) | Fax: +90 212 771 47 27
info@ayvaz.com | www.ayvaz.com

Caserta/Italy

Tel: +39 0823 187 3988
rmolaro@ayvaz.com

Moscow/Russia

Tel: +74959951728
ayvazrus@ayvaz.com

Viernheim/Germany

Tel: +49 62046014399
germany@ayvaz.com

Kiev/Ukraine

Tel: +380 44 390 57 57
info@ayvaz.com.ua

Warsaw/Poland

Tel: +48-32-783-295-1
tricorr@tricorr.eu

Dubai/U.A.E

Tel: +971 563550822
+971 501306871
mideast@ayvaz.com

Cixi City/China

Tel: +86 574-58973851
info@ayvazchina.com

Kazakhstan

Tel: +7 (701) 066 066 1
+90 (533) 760 34 66
celyas@ayvaz.com

Isperih/Bulgaria

Tel: +359 8431 27 32
office@ayvaz-n.eu

Belgrad/Serbia

Tel: +381 61 658 70 52
yakbiyik@ayvaz.com